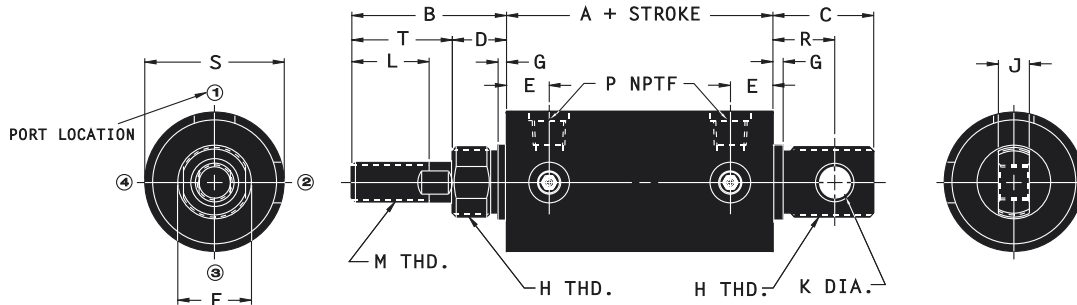
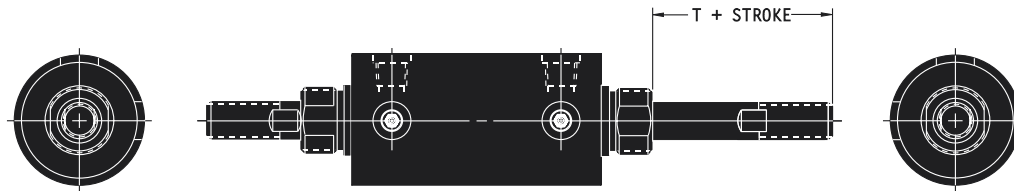


DI / DIM / DIDE / DIMDE



Models DI/DIM



Models DIDE/DIMDE

DIMENSIONAL DATA

Bore Size	A	B	C	D	E	F	G	H	J	K	L	M*	P	R	S	T
1 ¹ / ₈	3 ¹ / ₃₂	1 ³ / ₄	3 ¹ / ₃₂	3/4	27/64	3/4	1/8	3/4-16	3/8	1/4	7/8	3/8-16	1/8	11/16	1 ³ / ₈	1
1 ¹ / ₂	3 ⁵ / ₈	2 ⁷ / ₁₆	1 ¹ / ₄	1	33/64	1 ¹ / ₁₆	7/32	1 ¹ / ₁₆ -18	1/2	5/16	1 ¹ / ₄	1 ¹ / ₂ -13	1/4	7/8	1 ³ / ₄	1 ⁷ / ₁₆
2	3 ⁵ / ₈	2 ⁷ / ₁₆	1 ¹ / ₄	1	33/64	1 ¹ / ₁₆	7/32	1 ¹ / ₁₆ -18	1/2	5/16	1 ¹ / ₄	5/8-11	1/4	7/8	2 ¹ / ₄	1 ⁷ / ₁₆
2 ¹ / ₂	3 ⁷ / ₈	2 ¹⁵ / ₁₆	2	1 ¹ / ₄	9/16	1 ⁷ / ₁₆	11/32	1 ³ / ₈ -12	5/8	7/16	1 ¹ / ₂	3/4-10	3/8	1 ³ / ₈	2 ³ / ₄	1 ¹¹ / ₁₆
3	3 ⁷ / ₈	2 ¹⁵ / ₁₆	2	1 ¹ / ₄	9/16	1 ⁷ / ₁₆	11/32	1 ³ / ₈ -12	5/8	7/16	1 ¹ / ₂	3/4-10	3/8	1 ³ / ₈	3 ¹ / ₄	1 ¹¹ / ₁₆

*Thread size and rod diameter.

Note: Dimensions that do not appear remain the same (according to bore size) as on the Models DI/DIM drawing.

See Application Information for sensors and magnetic switch options, mounting accessories, special options, and ordering information.