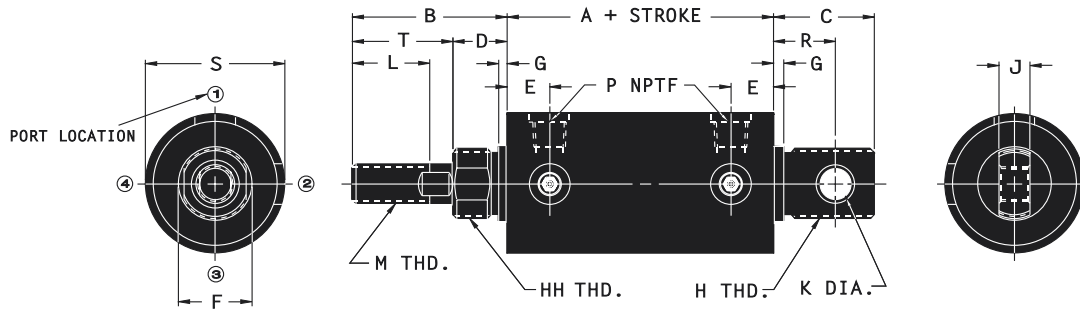
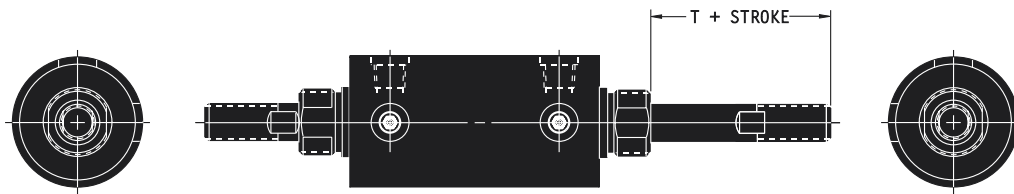


### DSI / DSIM / DSIDE / DSIMDE



**Models DSI/DSIM**



**Models DSIDE/DSIMDE**

### DIMENSIONAL DATA

Bore Size	A	B	C	D	E	F	G	H	HH	J	K	L	M*	P	R	S	T
1 <sup>1</sup> / <sub>8</sub>	3 <sup>1</sup> / <sub>16</sub>	1 <sup>5</sup> / <sub>8</sub>	1	5/8	27/64	3/4	1/8	3/4-16	3/4-16	3/8	1/4	7/8	3/8-16	1/8	11/16	1 <sup>3</sup> / <sub>8</sub>	1
1 <sup>1</sup> / <sub>2</sub>	3 <sup>5</sup> / <sub>8</sub>	2 <sup>5</sup> / <sub>16</sub>	1 <sup>1</sup> / <sub>4</sub>	7/8	33/64	1 <sup>1</sup> / <sub>16</sub>	7/32	1 <sup>1</sup> / <sub>16</sub> -18	1-14	1/2	5/16	1 <sup>1</sup> / <sub>4</sub>	1/2-13	1/4	7/8	1 <sup>3</sup> / <sub>4</sub>	1 <sup>7</sup> / <sub>16</sub>
2	3 <sup>5</sup> / <sub>8</sub>	2 <sup>5</sup> / <sub>16</sub>	1 <sup>1</sup> / <sub>4</sub>	7/8	33/64	1 <sup>1</sup> / <sub>16</sub>	7/32	1 <sup>1</sup> / <sub>16</sub> -18	1-14	1/2	5/16	1 <sup>1</sup> / <sub>4</sub>	5/8-11	1/4	7/8	2 <sup>1</sup> / <sub>4</sub>	1 <sup>7</sup> / <sub>16</sub>
2 <sup>1</sup> / <sub>2</sub>	3 <sup>7</sup> / <sub>8</sub>	2 <sup>11</sup> / <sub>16</sub>	2	1	9/16	1 <sup>3</sup> / <sub>8</sub>	11/32	1 <sup>3</sup> / <sub>8</sub> -12	1 <sup>3</sup> / <sub>8</sub> -12	5/8	7/16	1 <sup>1</sup> / <sub>2</sub>	3/4-10	3/8	1 <sup>3</sup> / <sub>8</sub>	2 <sup>3</sup> / <sub>4</sub>	1 <sup>11</sup> / <sub>16</sub>
3	3 <sup>7</sup> / <sub>8</sub>	2 <sup>11</sup> / <sub>16</sub>	2	1	9/16	1 <sup>3</sup> / <sub>8</sub>	11/32	1 <sup>3</sup> / <sub>8</sub> -12	1 <sup>3</sup> / <sub>8</sub> -12	5/8	7/16	1 <sup>1</sup> / <sub>2</sub>	3/4-10	3/8	1 <sup>3</sup> / <sub>8</sub>	3 <sup>1</sup> / <sub>4</sub>	1 <sup>11</sup> / <sub>16</sub>

\*Thread size and rod diameter.

Note: Dimensions that do not appear remain the same (according to bore size) as on the Models DSI drawing.

See Application Information for sensors and magnetic switch options, mounting accessories, special options, and ordering information.