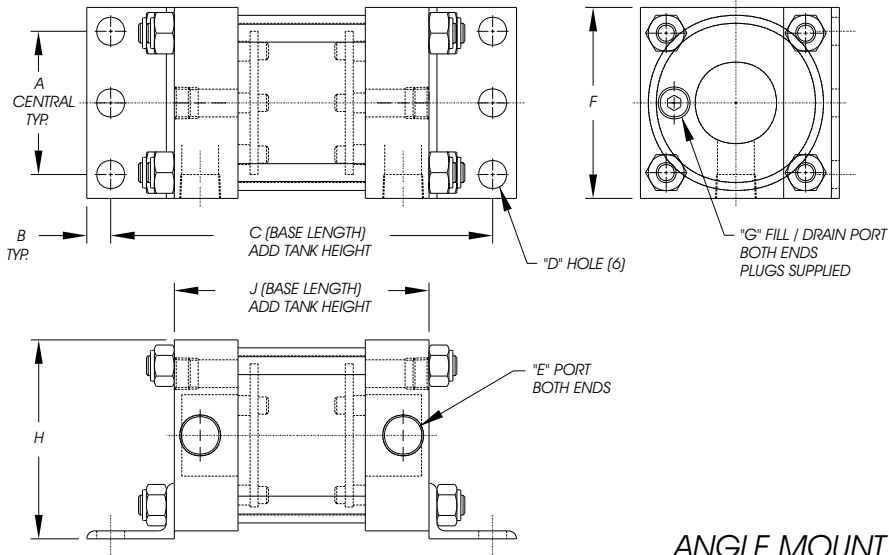


AO SERIES

200 PSI MAXIMUM RATING

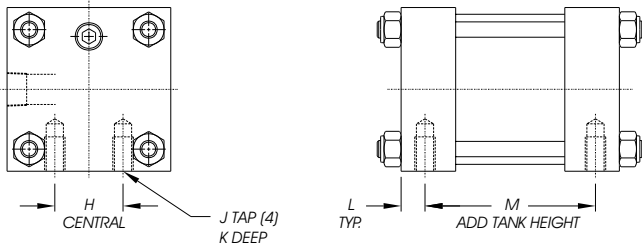


ANGLE MOUNT

BORE SIZE	AREA	*GALS./ INCH	DIM. A	DIM. B	DIM. C	DIA. D	PORT E	DIM. F	PORT G	DIM. H	DIM. J
2.000	3.14	.0135	1.75	.38	4.00	.44	3/8	2.50	1/4	2.69	2.00
2.500	4.90	.0212	2.25	.38	4.00	.44	3/8	3.00	1/4	3.13	2.00
3.250	8.29	.0358	2.75	.50	5.00	.56	1/2	3.75	3/8	3.81	2.50
4.000	12.56	.0544	3.50	.50	5.00	.56	1/2	4.50	1/2	4.50	2.50
5.000	19.63	.0849	4.25	.63	5.25	.69	1/2	5.50	1/2	5.50	2.50
6.000	28.27	.1223	5.25	.63	5.75	.81	3/4	6.50	3/4	6.50	3.00
8.000	50.26	.2175	7.13	.69	6.63	.81	3/4	8.50	3/4	8.50	3.00

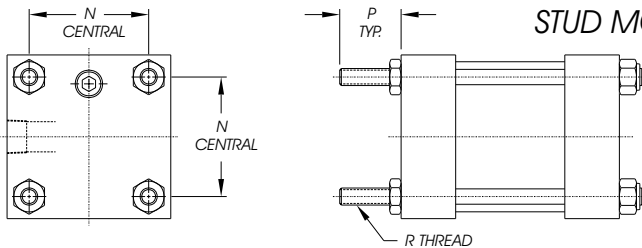
* THIS IS TOTAL INTERNAL VOLUME, NOT RECOMMENDED USABLE OIL CAPACITY

TAPPED MOUNT



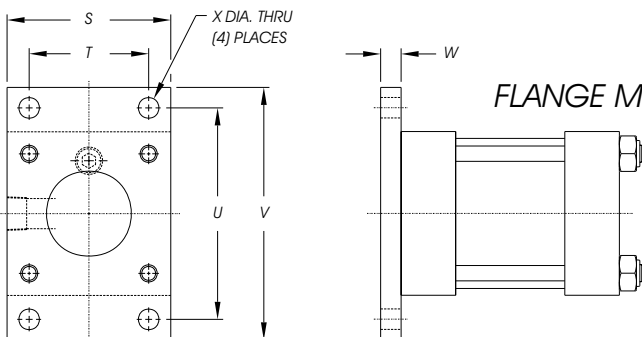
BORE SIZE	DIM. H	THREAD J	DIM. K	DIM. L	DIM. M
2.000	.88	5/16-18	.50	.44	1.13
2.500	1.25	3/8-16	.63	.44	1.13
3.250	1.50	1/2-13	.81	.56	1.38
4.000	2.06	1/2-13	.81	.56	1.38
5.000	2.69	5/8-11	1.0	.56	1.38
6.000	3.25	3/4-10	1.19	.69	1.63
8.000	4.50	3/4-10	1.25	.69	1.63

STUD MOUNT



BORE SIZE	DIM. N	DIM. P	THREAD R
2.000	1.84	1.13	5/16-24
2.500	2.19	1.13	5/16-24
3.250	2.76	1.38	3/8-24
4.000	3.32	1.38	3/8-24
5.000	4.10	1.81	1/2-20
6.000	4.88	1.81	1/2-20
8.000	6.44	2.31	5/8-18

FLANGE MOUNT



BORE SIZE	DIM. S	DIM. T	DIM. U	DIM. V	DIM. W	DIA. X
2.000	2.50	1.84	3.38	4.13	.38	.38
2.500	3.00	2.19	3.88	4.63	.38	.38
3.250	3.75	2.76	4.69	5.50	.63	.44
4.000	4.50	3.32	5.44	6.25	.63	.44
5.000	5.50	4.10	6.63	7.63	.63	.56
6.000	6.50	4.88	7.63	8.63	.75	.56
8.000	NOT AVAILABLE					